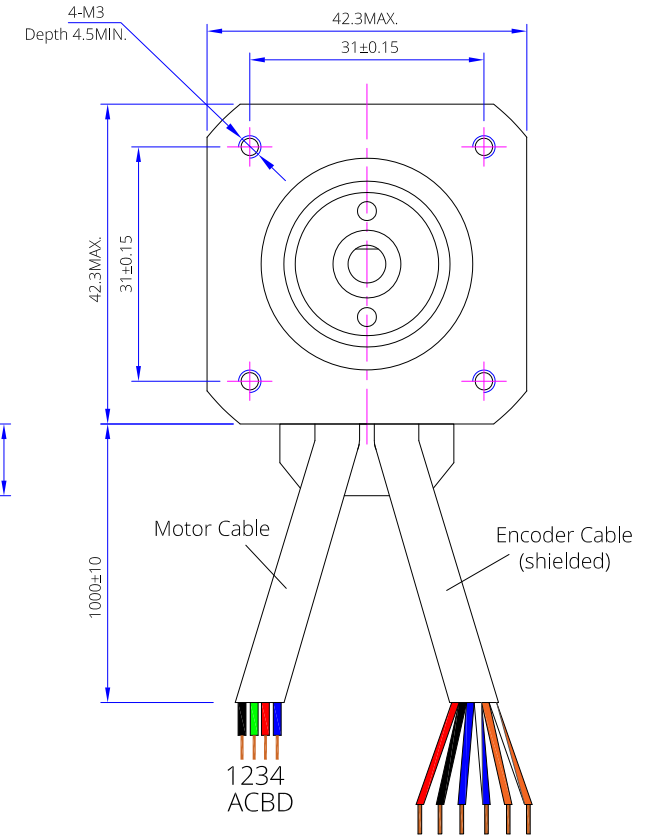
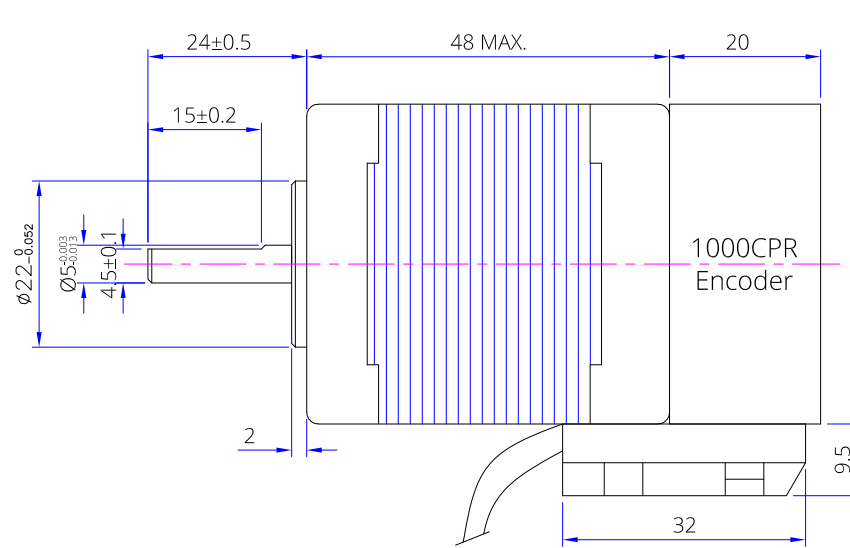
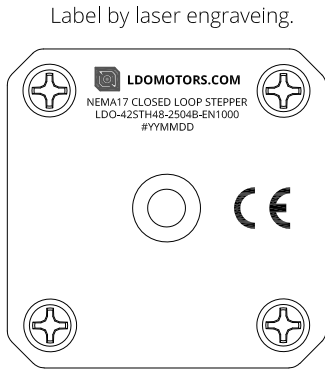
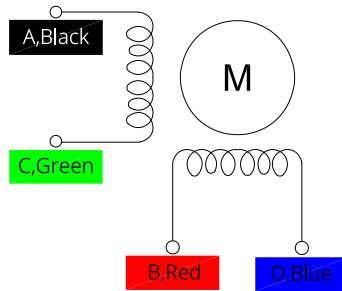


Speedy Power + Encoder



MOTOR DIAGRAM



ENCODER CABLES					
5v	GND	A+	A-	B+	B-
RED	BLK	BLU	BLU/WHT	ORG	ORG/WHT

Items	Specification	Items	Specification
Phase Number	2	Step Angle	1.8° ± 5%
Rated Voltage	DC 3.0V / Phase	Rated Current	DC 2.5A / Phase
Phase Resistance	1.2x(1±15%) Ω	Phase Inductance	1.5x(1±20%) mH
Holding Torque	5.5Kgf-cm (5.5Ncm)	Detent Torque	20 mN-m REF.
Rotation Direction	A-AB-B CW	Insulation Resistance	100Mohm(DC500V)
HI-POT	AC600V/1mA/1S	Insulation Class	Class B 130°C
Rotor Inertia	84.5 g-cm ²	Weight	0.5 Kg REF

A		NEW RELEASE		Xu SD	J.B.	10/31/22
REV.	ECN NO.	DESCRIPTION		MADE BY	APPR. BY	DATE
		VIEW				
		SCALE	NA			
DRAWN BY		CHECKED BY	APPR. BY	DATE	FACTORY CODE	SHEET NO.
Xu SD		J.B.	J.B.	10/31/22		1/1

LDO Motors Co., Ltd.
Part NO. **NEMA17 Closed Loop Stepper LDO-425TH48-2504B-EN1000**